



Christiaens

Agro Systems



CHRIS ASPARAGUS HARVESTING MACHINE ON TRACKS



Operating principle

Chris is a harvesting machine for white asparagus. He is equipped with tracks to be able to perform under less favourable conditions. Chris can easily handle double row systems. He is controlled by one person who is also helping with the grading of the asparagus. A total of 4 people can work on the machine. With a speed of 0-60 mtr/min Chris can drive over the asparagus dam. The cutting height is hydraulically adjustable. The asparagus is brought up by a combination of a star and chain sieve. The soil is sieved and the asparagus is falling on a flat belt. People can pick the asparagus of the belt to sort it and put it in boxes. They can choose to leave the thin and curved asparagus on the field. After sieving the soil the dam is built up again. This ensures a better dam hygienic which will improve the quality of the asparagus. Chris is equipped with lights and a hood so the employees are protected from wind and weather. The drive of the machine is hydraulic. The tracks are controlled separately from each other, so Chris needs minimum space to turn.

Film: [Chris](#)

Advantages

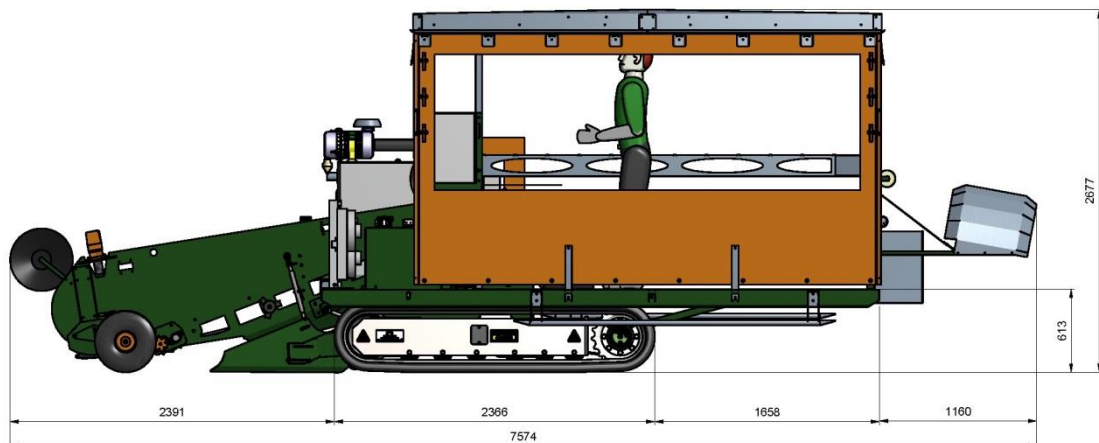
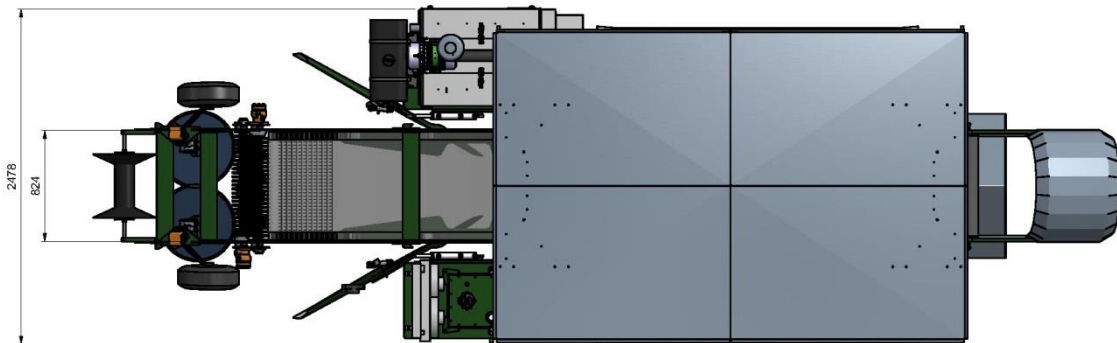
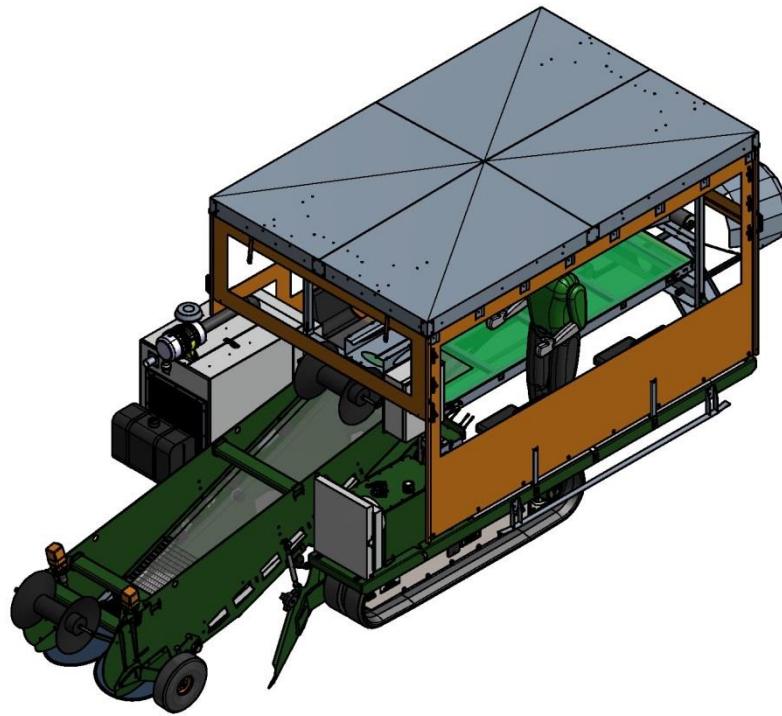
- Saving Labour
- Better quality of the asparagus
- Planning

Technical Data	
Length	7.600mm
Width	2.400mm
Harvesting width	820mm
Maximum Height	+/- 2.650mm
Weight	3.500kg
Drive	Hydraulically
Speed	0-60 mtr/min
Power	54KW
Frame	Painted steel



Christiaens

Agro Systems



Our products are subject to continuous development and improvement. Moreover, the machines are often adapted to meet the needs of users. This could mean that your machine does not exactly match the description given in the manual.