



Christiaens Agro Systems



LASER SORTING LINE 3000/3750/5750 3000-6



3750-6



5750-5



Operating principle

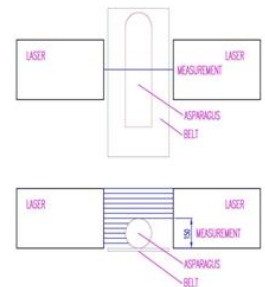
This machine is grading white and green asparagus on thickness and length with the most accurate laser technique.

First the asparagus will be washed and cut by the washing machine. The 2th class can be sorted out on the grading part. It's possible to use an existing washing machine. This has to be adjusted with a belt with cleats on a distance of 50mm. Also there has to be a wheel attached to the washing machine to make sure the asparagus falls separate on the laser sorter. On the sorting machine thickness and length is measured very accurate. Then the program sends the asparagus to the desired output. Several program settings can be made.

This machine is available in different types with exits in bins, belts or both. To get the highest capacity available in the market it's also possible to increase the capacity with a double laser grading system. The machine is built according the Christiaens construction method. This means very few wearing parts, so maintenance is kept to a minimum. Operation is very easy. Since 1996 this machine has proven to save lots of labour worldwide and increase uniformity of the asparagus.



LASER MEASUREMENT



Film: <https://www.christiaensagro.com/en/products/asparagus#product-video-5>

Advantages

- Most accurate measurement for green and white asparagus
- Price friendliest automatic system
- Very simple and easy to control and maintain

Options

Transport belts, Roller conveyors, Box plates, Processing and weighing tables, Customized logistic, Extra capacity 20%, Double capacity by using double Laser system.

Technical Data	3000	3750	5750
Max capacity	8.000 pc/h	20.000 pc/h	20.000 pc/h
Exits in bins	6+1	3+1	0
Exits on belts	0	3	5-8
Length	4.400mm	5.850mm	8.300mm
Width	810mm	3.050mm	3.000mm
Height	1.750mm	1.750mm	1.750mm
Power Supply	400V 50Hz	400V 50Hz	400V 50Hz
Frame	SS304	SS304	SS304

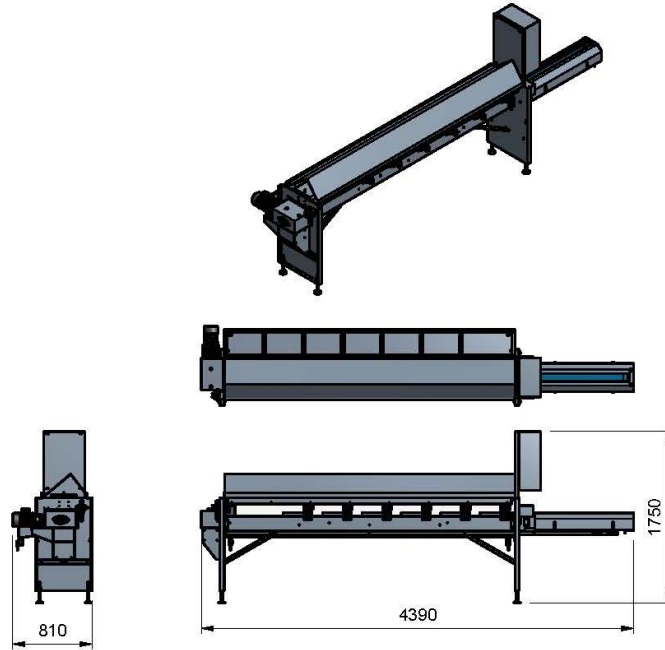


Christiaens

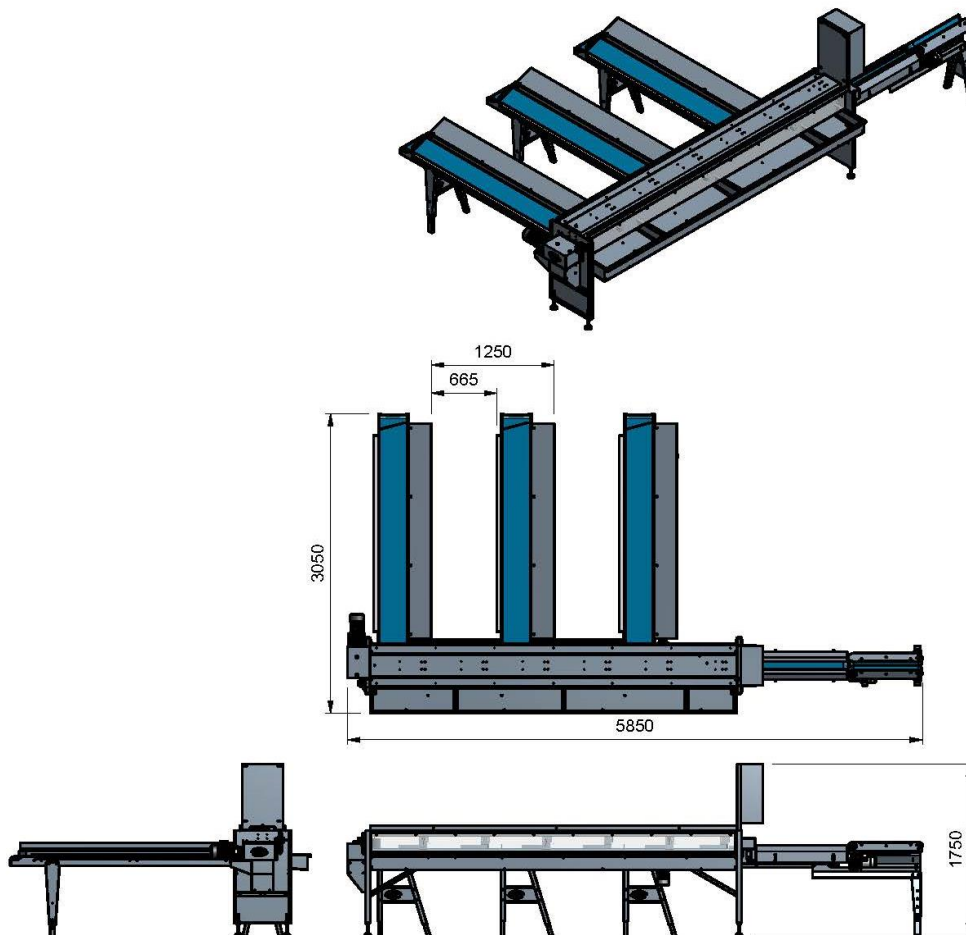
Agro Systems



3000-6



3750-6



Our products are subject to continuous development and improvement. Moreover, the machines are often adapted to meet the needs of users. This could mean that your machine does not exactly match the description given in the manual.