



Christiaens

Agro Systems



WASHING MACHINE FOR ASPARAGUS TIPS AND VEGETABLES TYPE 3000-800



Operating principle

With this machine different kind of vegetables such as asparagus, carrots, herbs etc can be washed. Vegetables are washed with spraying pipes with nozzles at the top and bottom. The product is laid on a chain before entering the washing part. Another chain at the top is holding the vegetable at his place. The speed of the two chains are the same. Depending on the product the speed can be controlled by an electric drive with variator. (speed can be adjusted mechanical)

Advantages

- Saving labour
- Excellent washing result
- Simple and low maintenance machine



Options

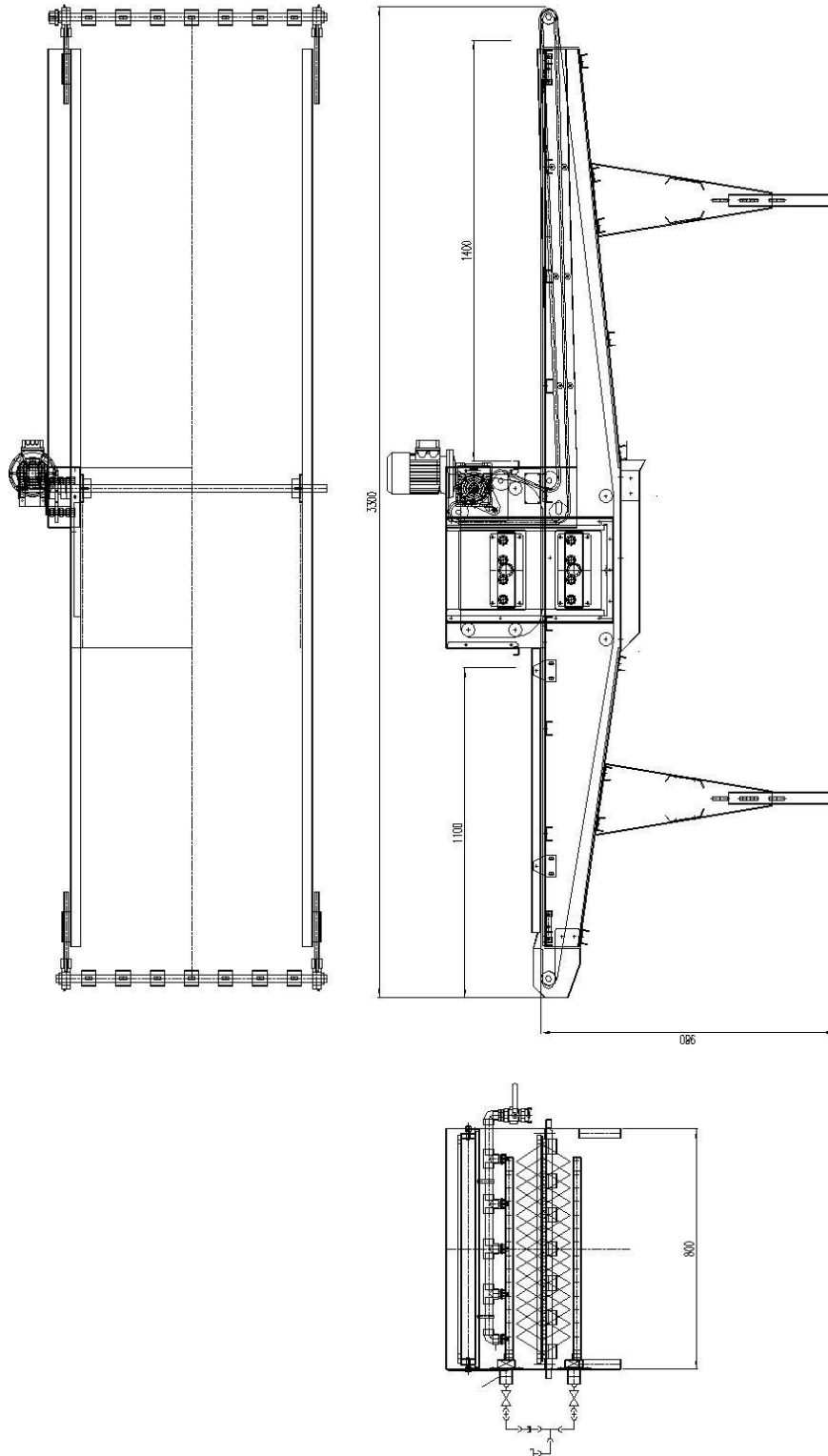
To save water and to have sufficient water, a water recycling can be used. The tank has a capacity of 500 liter and is supplied with a 4KW pump and 2 filters. For the final rinse fresh water is used. For the best washing result an optimum between the amount of water and pressure is chosen.

Technical Data	3000-800
Length input part	1.000mm
Length washing part	600mm
Length output part	1.400mm
Width machine	800mm
Width chain	600mm
Pitch of the chain at top	19.05mm (round 1,4mm)
Pitch of the chain under	6.35mm (round 1,25mm)
Number of spraying pipes top	4
Number of spraying pipes bottom	4
Number of spraying nozzles/pipe	7
Total number of spraying nozzles	56
Power supply	400V 50Hz
Adjustable speed chain	5-12 mtr/min
Frame	SS304



Christiaens

Agro Systems



Our products are subject to continuous development and improvement. Moreover, the machines are often adapted to meet the needs of users. This could mean that your machine does not exactly match the description given in the manual.