



Christiaens

Agro Systems



SEALING MACHINE TYPE CS01S



Operating principle

The sealing machine is for packing/sealing long shaped vegetables like cucumbers.

Our newest sealing machine is very compact with high capacity.

By using stainless steel in our machine it meets all modern demands according save food processing. The weight of the product is stretching the foil in such a way that no surplus of foil will be used. You will save till 20% of foil.

On request the machine can be delivered with a difference in distance between the bars, for different products like Cucumbers, Leek, Paprika, Zucchini, Carrots, Corn, etc.

Film: <https://www.christiaensagro.com/en/products/mini-cucumbers#product-video-12>

Advantages

Power supply is limited till 32A

Because of the use of 1 knife-system very efficient with foil, savings till 20%

Low maintenance

Options

Infeed part, Turning-table, Roller-conveyors, Logistics.

Seal machine infeed: To reach the maximum capacity of the sealing machine. The system has a flat infeed belt and an accordion belt to lay the cucumbers on the sealing machine. This is increasing the capacity and creates more buffer at the infeed.



Technical Data	CS01S
Max capacity	7.500 pc/h
Length	3.570mm
Width	1.100mm
Height	1.900mm
Height Input part	1.050mm
Power Supply	400V 50Hz 32A
Frame	SS304

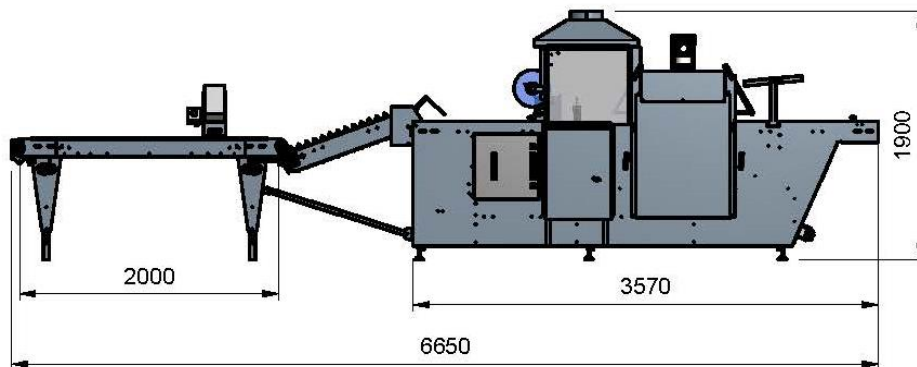
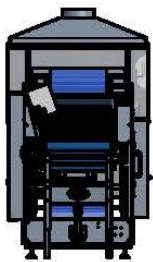
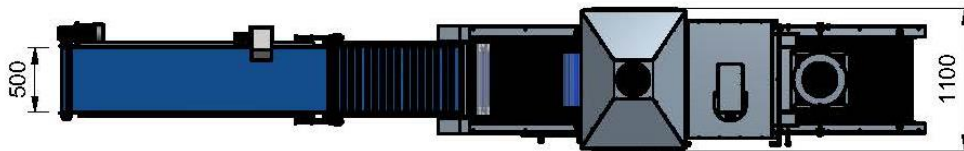
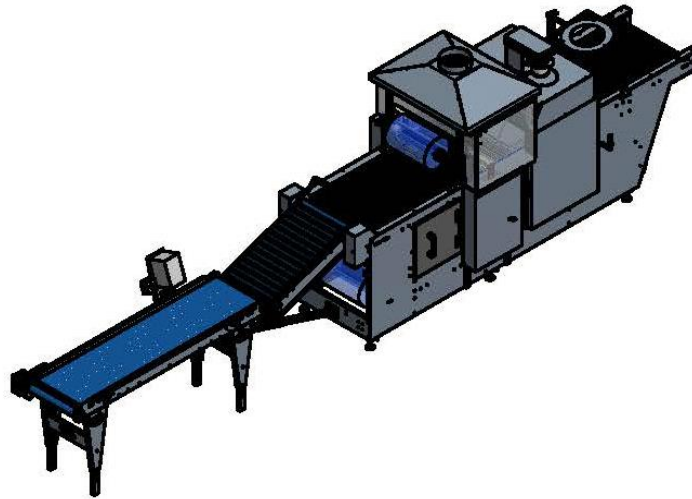


Christiaens

Agro Systems



CS01S



Our products are subject to continuous development and improvement. Moreover, the machines are often adapted to meet the needs of users. This could mean that your machine does not exactly match the description given in the manual.