



# Christiaens

## Agro Systems



### CHRISJE SELF DRIVEN HARVESTER FOR ASPARAGUS



#### Operating principle

Chrisje is designed as a harvesting machine for white asparagus and will be controlled by 1 person. The machine is driving over the beds with a speed of 5 till 18 mtr/min. The asparagus will be cut just above the root with in height adjustable knives. The asparagus will be moved upwards by screen stars and brought onto a horizontal conveyor. The sand will be sifted in the same time. The controller of the machines will pick out the asparagus and put them in a box. He can decide to leaf asparagus on the field which is to thin or bended. After the screen stars are sifting the sand, the bed of the asparagus will be built up again. Because of the sieve the quality of the asparagus will improve. The whole machine is hydraulically driven. The wheels are separately hydraulically driven so that the machine can turn 180degrees on one wheel. That is why Chrisje can turn at a small space.

Film: <https://www.christiaensagro.com/en/products/asparagus#product-video-1>

#### Advantages

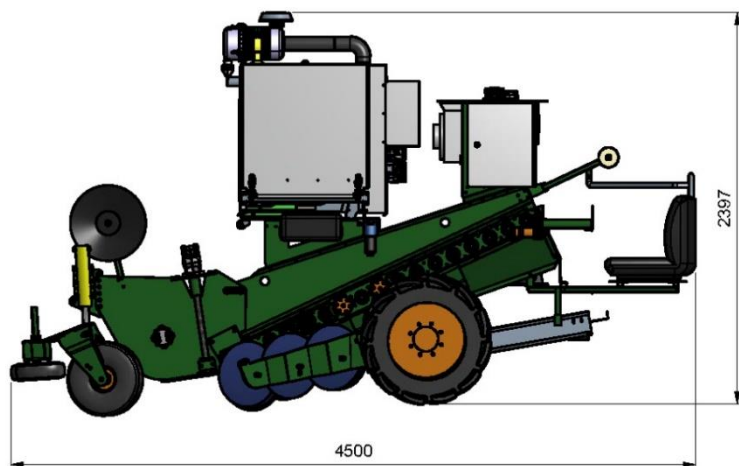
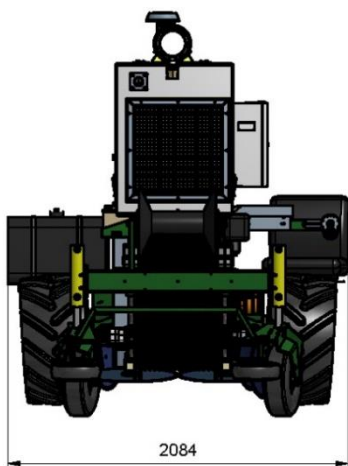
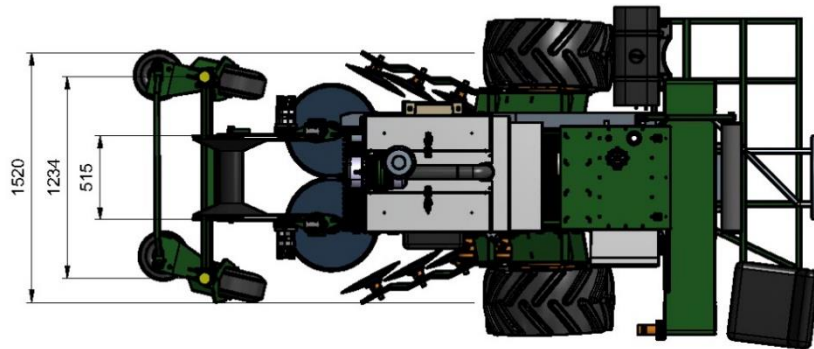
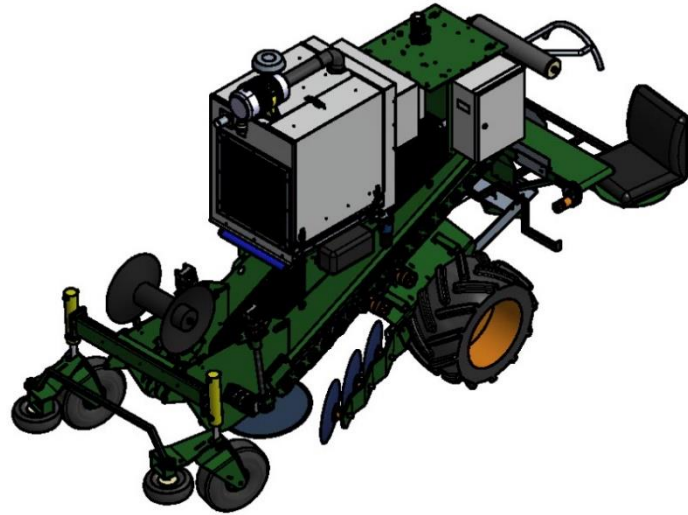
Saving Labour  
Better quality of the asparagus  
Planning

Technical Data	
Length	4.500mm
Width	2.000mm
Harvesting width	450mm
Maximum Height	+/- 2.100mm
Weight	1.850kg
Drive	Hydraulically
Speed	5-18 mtr/min
Power	40KW
Frame	Painted steel



# Christiaens

## Agro Systems



Our products are subject to continuous development and improvement. Moreover, the machines are often adapted to meet the needs of users. This could mean that your machine does not exactly match the description given in the manual.