



Christiaens

Agro Systems



SPRING ONION CLEANING LINE TYPE 850



Operating principle

The machine is designed for cutting, washing and peeling of spring onion. The onions are washed and peeled on the root side and cut to length on the root and leaves side. The cutting length is adjustable. After washing, peeling and cutting the onions are coming into the sorting area where the final control takes place. The operators places the onions as bundles at the upper belt. The bundles are tied at two points by binding machines. Finally, the onion bundles are again cut off at the root and leaf side and washed again. The result is a clean and cut off bundle. The spring onions can be placed on the filling part with one or two people. You can sort with 3 or more persons.

Film: <http://christiaensagro.com/en/special-projects/spring-onion/>

Advantages

- Labour savings
- Cleaner bundle (washing before bundling)
- Variable settings

Options

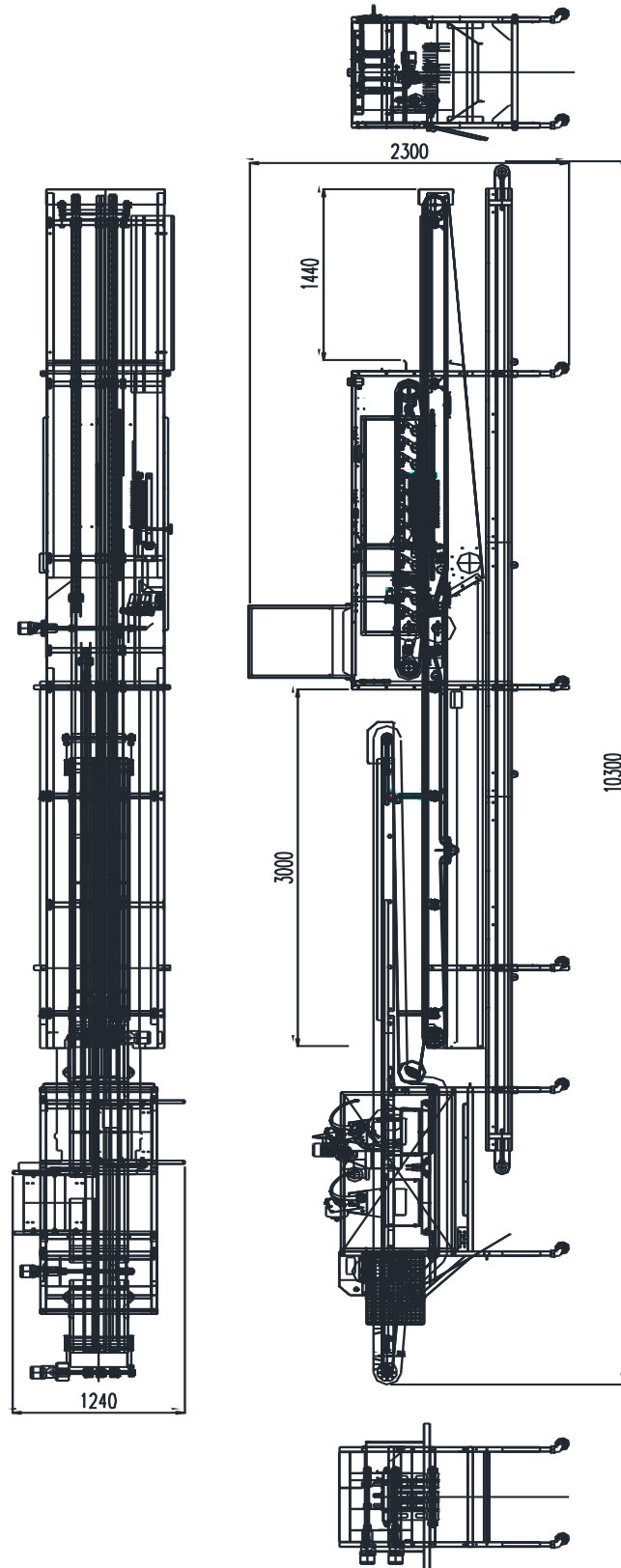
Waste discharge systems, Water recycling, Revolving sorting table, Extension filling- grading part, Automatic binding, Logistics.

Technical Data	
Length	+/-6500 mm. (dep. on the model)
Width frame	+/-1240 mm.
Height	+/-2300 mm.
Filling and sorting height	+/-900 mm, adjustable
Length filling part	+/-1500 mm. (dep. on the model)
Length grading part	+/-3000 mm. (dep. on the model)
Cutting length	240 - 480 mm
Water usage	+/- 24000Ltr/hour.
Drive	Hydraulic
Power Supply	16A 400V 50Hz 3f+N+pe
Oil	biodegradable
Speed	max. 10 mtr/min adjustable
Frame	Stainless steel -304
Binding machine	max. 3000 pc/hour



Christiaens

Agro Systems



Our products are subject to continuous development and improvement. Moreover, the machines are often adapted to meet the needs of users. This could mean that your machine does not exactly match the description given in the manual.