



Christiaens

Agro Systems



(SNACK/MINI/MIDI) CUCUMBER SORTING LINE



Operating principle

Christiaens Agro Systems designed a machine for grading snack/mini/midi cucumbers. Products can be sorted on weight. It's also possible to make packages by weight. Another option is grading the cucumbers on size, shape and colour. A lot of options are possible, ask Your advisor for advice. Then the machine will be optimal for the way You want to work.

Film: <https://www.christiaensagro.com/en/products/mini-cucumbers#product-video-10>

Advantages

Uniform Product because of high quality grading with high capacity
Maximum flexibility/options
Reliable and maintenance friendly

Options

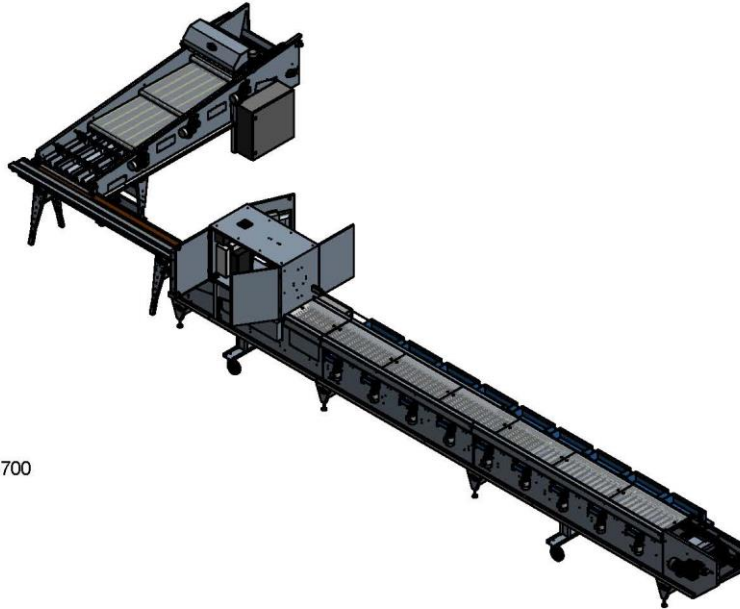
Logistics, Robotics, Infeed system

Technical Data	
Length	13.500mm (depending on setup)
Length infeed belt	3.000mm (depending on setup)
Width	4.500mm (depending on setup)
Height	2.000mm
Nr of exits	10 (depending on setup)
Capacity	28.000 pc/h
Power supply	16A 400V 50Hz 3ph+N+pe

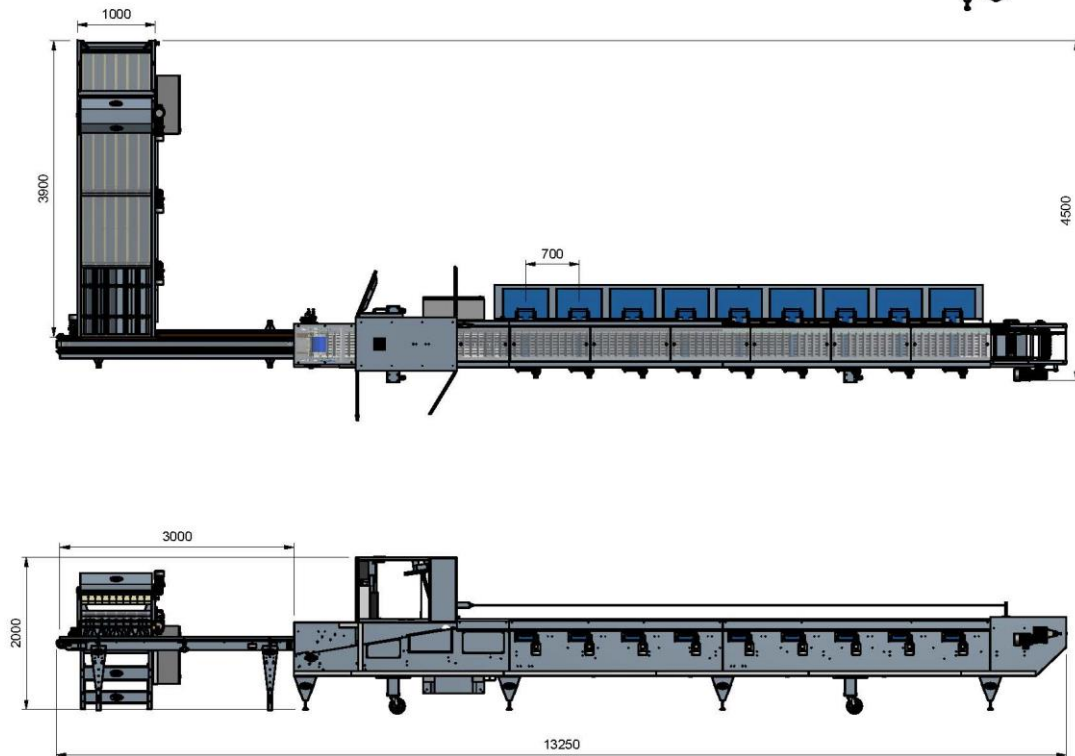


Christiaens

Agro Systems



525-9-700



Our products are subject to continuous development and improvement. Moreover, the machines are often adapted to meet the needs of users. This could mean that your machine does not exactly match the description given in the manual.