



Christiaens

Agro Systems



BINDING MACHINE



Operating principle

The binding machine is perfect for bind asparagus, leeks and various other long products
First, put a rubber band around the brackets.

With a button or foot switch, the rubber band pulled apart, allowing to insert the products .

At the bottom of the barrel is a stop plate

At the moment the products make contact with the

Stop plate , the brackets go back to the middle and let the rubber band go .

The bundled product can be removed from the machine.

By using the stop plate are the bands in the same place.

The result is a uniform bound product.

The capacity depends on the skill of the person who operated the machine.

The machine is operated by compressed air, so it only needs a compressed air connection.

The simple techniques and the stainless steel version makes it a low maintenance machine.

Film: <https://www.christiaensagro.com/en/products/asparagus#product-video-8>

Advantages

A uniform bound product

Higher capacity as binding by hand

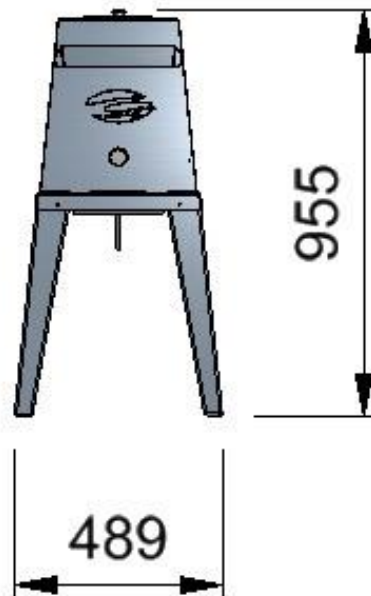
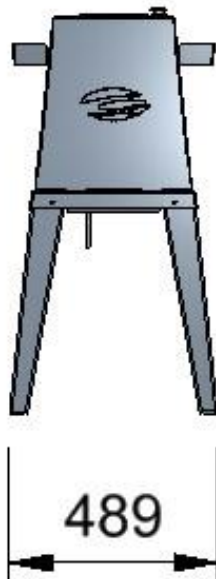
Maintenance – friendly through the use of simple techniques and stainless steel.

Technical Data	
Length	500mm
Width	500mm
Height	1.000mm
Drive	Pneumatic
Construction	SS304



Christiaens

Agro Systems



Our products are subject to continuous development and improvement. Moreover, the machines are often adapted to meet the needs of users. This could mean that your machine does not exactly match the description given in the manual.