



# Christiaens

## Agro Systems



### MECHANICAL WEEDING MACHINE



#### Operating principle

Machine for weeding between the plants in the direction of the rows. Suitable for several plants like leek, beet and carrots. This machine is suitable for weeding between the plant in the direction of the rows. This is accomplished with a driven axle with bouncy pin. The pins are moved through the ground and pull out the weed. All weed which stands looser as the plant can be removed. The damage on the plants is almost nothing due to the bouncy pins. The machine can be made from 1 till 9 rows depending on the row distance.

Film: <https://www.christiaensagro.com/en/products/leeks#product-video-13>

#### Advantages

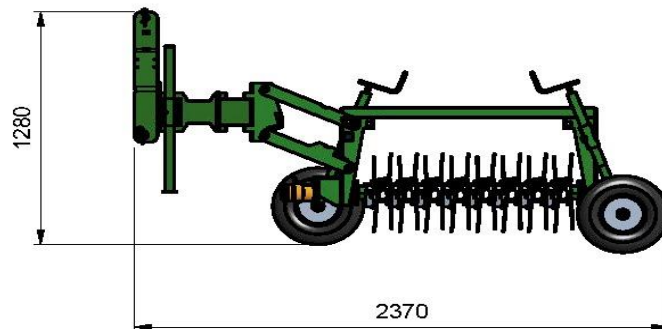
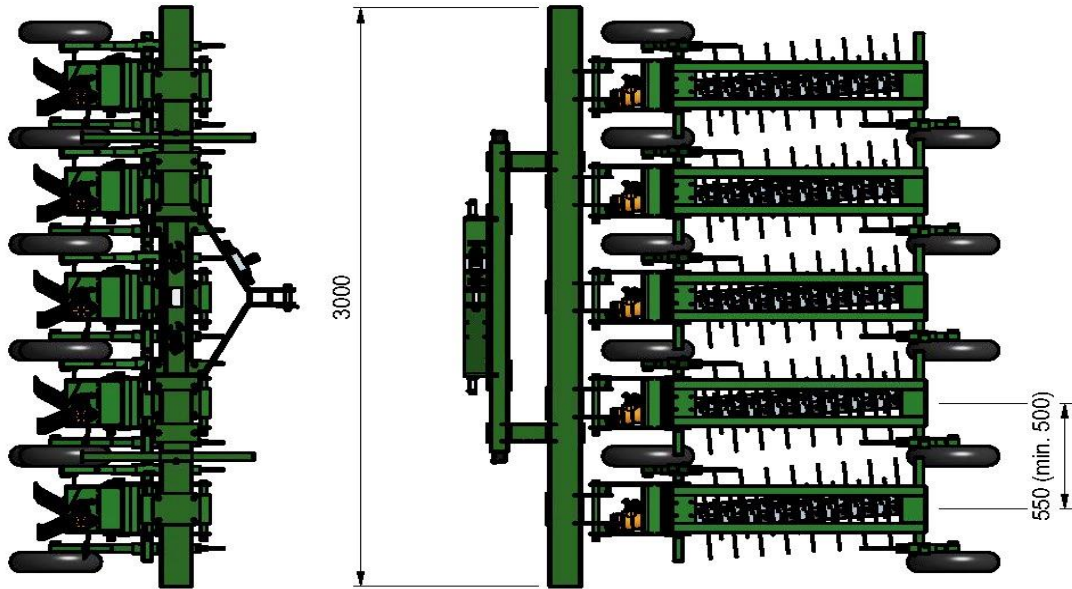
- Less pesticides
- Weeding in the row
- Brings sand back between row for hoeing/hilling

Technical Data	
Length	2.370mm
Width (5 elements)	3.000mm (Depending on the version and row distance)
Height	+/- 1.280mm
Distance rows	Adjustable from 500mm
Connection	Cat 2 Hydro with speed regulation valve
Drive	Hydraulically
Capacity	Depends on the amount of elements +/-6km/h
Frame	Painted steel



# Christiaens

## Agro Systems



Our products are subject to continuous development and improvement. Moreover, the machines are often adapted to meet the needs of users. This could mean that your machine does not exactly match the description given in the manual.