



Christiaens

Agro Systems



CHRISTIAN (Patented) ASPARAGUS HARVESTING MACHINE FOR GREEN ASPARAGUS



Operating principle

Christian is a harvesting machine for green asparagus. It is rear tractor mounted. The speed of the machine depends on the capacity of the 1-3 people who sort the asparagus from the belt on the back of the machine, with a maximum of 6 Km/h. The machine has a variable adjustable harvest height. With an automatic cutting height adjustment for the correct cutting result. The green asparagus is cut just above the ground with a specially designed band saw. The knife of this cutting system cuts the asparagus very straight, so that there is minimal cutting loss during later processing. If necessary the knife is easy to replace. The asparagus is brought up to a working height by a belt. This ensures good working conditions. They fall on 2 grading belts. People on the machine pick up the asparagus from the belts, pre-sort it and put it in boxes. They can choose to leave the asparagus that is too thin or curved on the field. Or put boxes under the belts where the product falls in. Maximum space has been created for empty and full boxes on the racks at the top and bottom of the machine. The entire machine is driven hydraulically. Because Christian is mounted at rear of the tractor, it is very manoeuvrable and requires minimal space to turn.

Film: <https://www.youtube.com/watch?v=4I1hAViOsf5>

Advantages

- Labour saving
- Better working conditions
- Planning

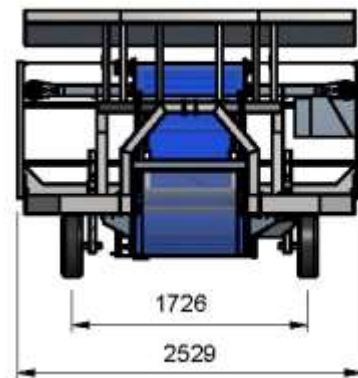
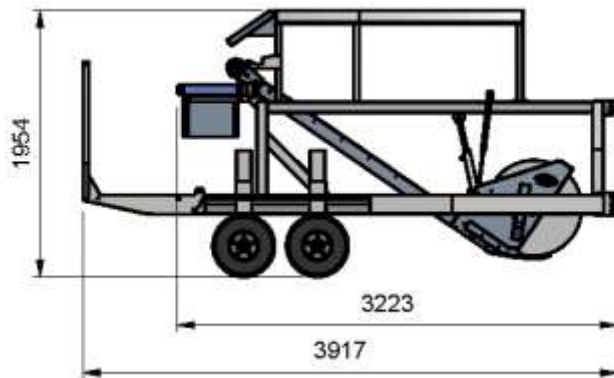
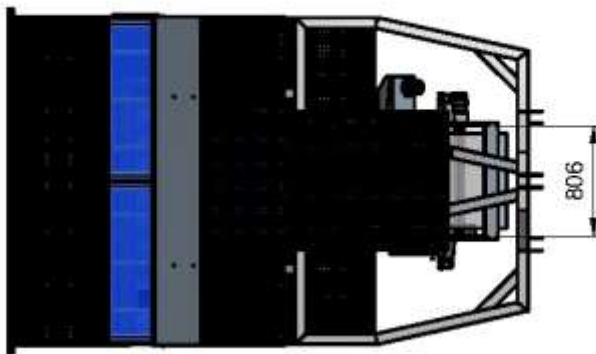
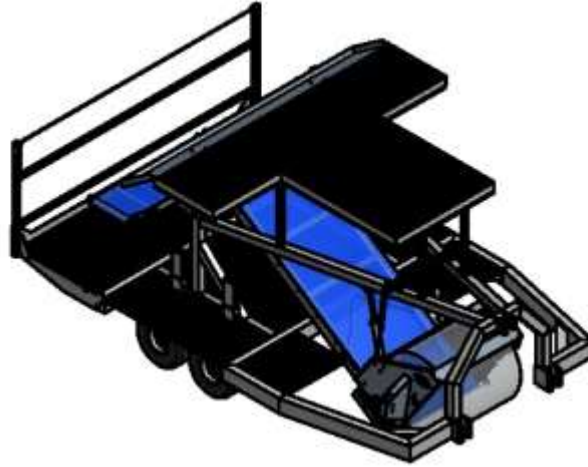
Technical Data excl Tractor	
Length	Working +/- 3.920mm, Transport +/- 3.300mm
Width	+/- 2530mm
Harvesting width	+/- 800mm
Maximum Height	+/- 1.960mm
Weight	+/- 1.700kg
Drive	Hydraulically
Speed	6 Km/h
Frame	Painted steel

Christiaens Agro Systems BV, Heldenseweg 15a, 6086PD Neer, Nederland
Tel: +31 475594869, Fax: +31 475594436, Mail: info@christiaensagro.com
www.christiaensagro.com



Christiaens

Agro Systems



Our products are subject to continuous development and improvement. Moreover, the machines are often adapted to meet the needs of users. This could mean that your machine does not exactly match the description given in the manual.